



Sliding
glass panels
Permanent
glazing



Murano

Glissando
+ Finestra

Just
enjoy life!

Lewens
MARKISEN





All-round glazing

*Murano Vetro glass roof with sliding glass panels:
Side-opening type on the side walls, 4-track with 4 panels,
Centre-opening type at the front, 2-track with 4 panels.
Equipped with optional triangular infill
with glass retaining strips (type A).*

Murano Glissando – sliding glass panels

Flexible, customised weather protection

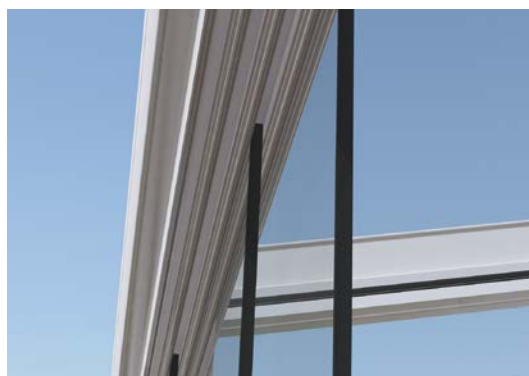


Side-opening type

All glass panels are slid to one side left or right for opening. Depending on the desired width and height, 2, 3, 4 or 5 sliding panels can be mounted on 2, 3, 4 or 5 tracks.

Tailor-made comfort

- For glass roofs and permanently modified wall niches
- For all types and styles of Murano glass roofs from Lewens
- Max. width:
Centre-opening type 1150 cm,
Side-opening type 580 cm
- Wall height max. 260 cm
(with single-pane safety glass 10 mm)
- Options:
Lock,
cross member
(when using the glass wall as a side wall for the glass roof),
triangular infill,
wall connection profile



Good guidance:

a cross member for attaching the top running rail is required for the installation of sliding panels on the side walls of the glass roof.

Shapely recessed handles

for smooth opening and closing of the sliding panels.

A transparent rubber trim closes the gap on the centre-opening type.



Triangular infill (option)

The triangular opening remaining can be glazed optionally to prevent the ingress of wind and weather above the side walls. (Here: type B with glass retainer clips)



Murano glass roofs can be fitted with sliding glass side walls offering protection from the wind and weather. The glass walls consist of 2 to 10 upright glass panels creating a transparent wall. Concealed ball-bearing rollers guarantee virtually silent running.

Centre-opening type

The panels are slid apart to the left and right for opening. Depending on the desired dimensions, 4, 6, 8 or 10 sliding panels can be mounted on 2, 3, 4 or 5 rails.





Glass retaining strips *(Type A)*

The glass is attached flush with the surround and virtually invisibly using glass retaining strips at the top and bottom. An air gap remains underneath the box/cassette as well as a gap to the wall.

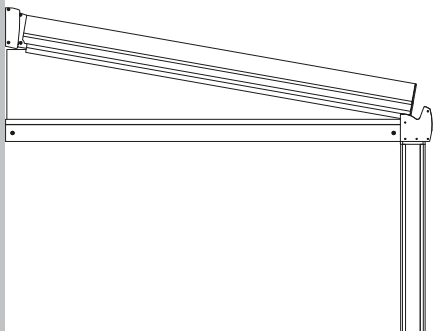


Glass retainer clips *(Type B)*

A visually attractive, almost "floating" attachment that leaves a gap open around the glass.

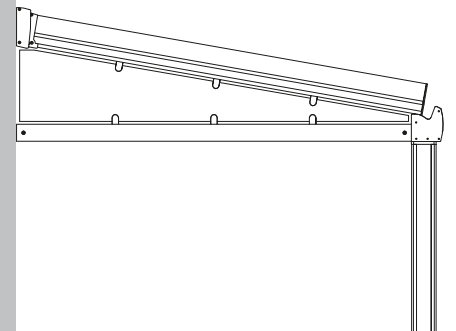
Option Triangular infill

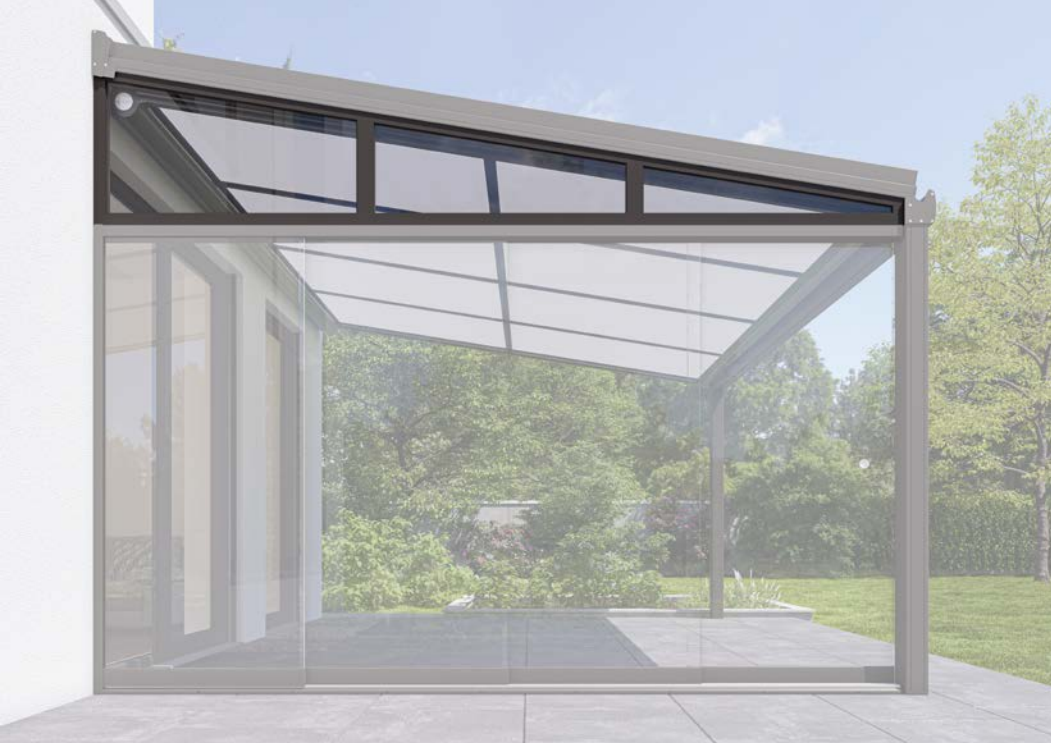
The cross member for attaching the top running rail is a prerequisite for the installation of sliding glass panels. It leaves a triangular opening free below the glass roof, which can be glazed optionally to prevent the elements from encroaching above the side walls.



Virtually invisible:
*Triangular infill with
glass retaining strips*

"Floating" attachment:
*Triangular infill with
glass retainer clips*





Inclined section type

for permanent glazing of side walls

Can be used to close the space between the roof and side glazing without any gap.

Below this, either rail systems for Glissando sliding glass panels or permanent rectangular glazing can be installed.



Rectangular type

for permanent glazing of rectangular spaces

The solution for glazing down to the ground at the front and back of the glass roof ...

... and as a complement to the inclined section on side walls for

complete glazing

of entire glass roof sides.

Murano Finestra

Permanent glazing

Permanent glazing is the best way to achieve maximum protection from wind, weather and draughts. This can be realised as partial glazing of individual wall sections or complete glazing of entire walls up to 500 cm wide.

Seamless connection

Glass frame profiles border the glass panels all round and perfectly enclose the space between the glass roof and vertical glazed panels.

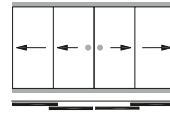
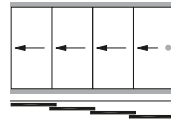


Murano Glissando

Equipment and technical features



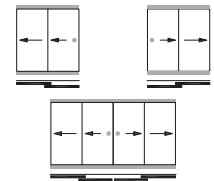
Manufactured and assembled in Germany
TUV-tested safety
Quality and technology CE-compliant



Type	Side-opening	Centre-opening
Number of tracks	2 - 5	2 - 5
Number of panels	2 - 5	4 - 10
Dimensions		
2-track width (max.)	330 cm	540 cm
Number of panels	2	4
3-track width (max.)	470 cm	720 cm
Number of panels	3	6
4-track width (max.)	520 cm	920 cm
Number of panels	4	8
5-track width (max.)	580 cm	1150 cm
Number of panels	5	10
Width of single panels (min./max.)	60 - 130 cm	60 - 130 cm
Overlap of single panels	approx. 5 cm	approx. 5 cm
Height 8 mm toughened safety glass (max.)	230 cm	230 cm
Height 10 mm toughened safety glass (max.)	260 cm	260 cm
Scope of supply (without attachment material)		
Bottom running rail (can be surface-mounted or inset)	■	■
– installation depth bottom running rail (max.)	35 mm	35 mm
– anti-lift device	■	■
Top guide rail	■	■
End caps in frame colour	■	■
Recessed handles (brushed stainless steel, polished, standard h 105 mm)	■	■
Locking mechanism (walk-in panel w. foot lever, stationary panel w. socket screw)	■	■
Glazing (with laminated safety glass, clear in 8 or 10 mm)		
including glass	■	■
without glass with dimension data	■	■
Frame colours		
17 RAL colours + 6 textured finishes (Lewens standard colours)	■	■
Additional RAL, special colours and effect finishes	□	□
Bottom running rail always E6/EV 1 silver anodised	■	■
Options		
Lock (at handle height)	□	–
Wall connection profile	□	□
Cross member + accessories (for use as side wall)	□	□
Profiles or retainer clips for triangular infill (without glass)	□	□

Possible types

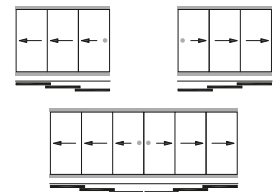
2-track



2L or 2R 2 panel

2L+2R 4 panel

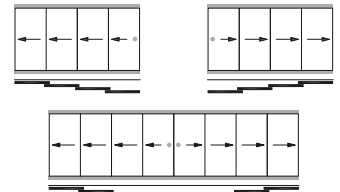
3-track



3L or 3R 3 panel

3L+3R 6 panel

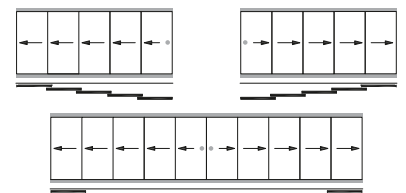
4-track



4L or 4R 4 panel

4L+4R 8 panel

5-track

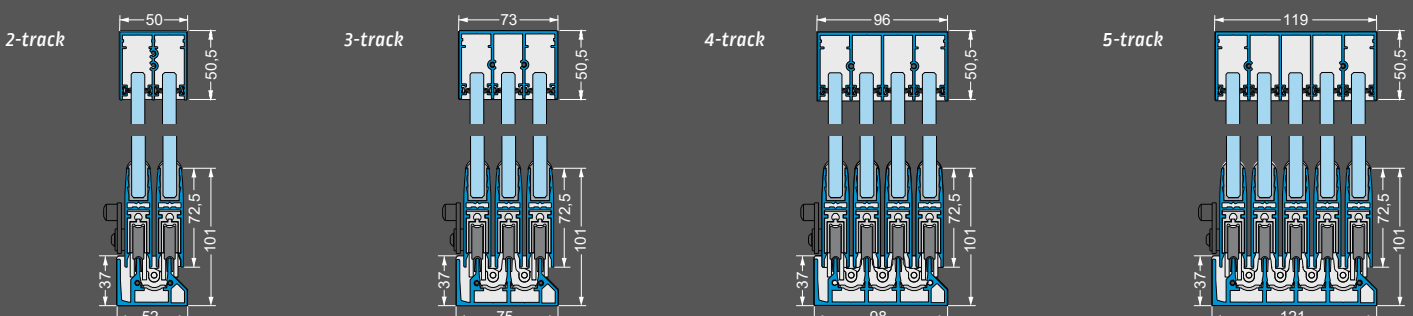


5L or 5R 5 panel

5L+5R 10 panel

Possible dimensions and restrictions along with the complete range of electronic accessories can be found in the technical data in the current Lewens price list.

■ Standard □ Option
– not available

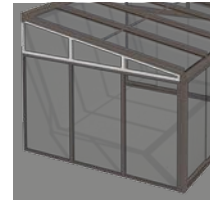
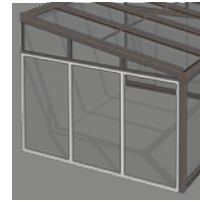


Murano Finestra

Equipment and technical features



Manufactured and assembled in Germany
Quality and technology CE-compliant



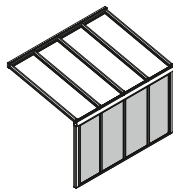
Type	Rectangle	Inclined section
With uprights	■	■
Number of uprights	Width-dependent (acc. to max. single panel width)	
Dimensions		
Width (max.)	500 cm	500 cm
Width of single panels (max.)	120 cm	120 cm
Height (max.)	230 cm	230 cm
Glazing		
without glass (with dimension data for LSG, clear in 8 or 10 mm)	■	■
Frame colours		
17 RAL colours + 6 textured finishes (Lewens standard colours)	■	■
Additional RAL, special colours and effect finishes	□	□
Equipment		
Drainage slots	■	■
Options		
Extra upright	□	□
Connection profile for Murano glass roof rafters	—	□
Attachment set for Murano glass roof rafters	—	□
Factory connection of rectangular and inclined section elements (full glazing)	□	□
Reinforcement profile for full glazing (required above 300 cm width due to wind load)	—	□
Wall connection profile	□	□
Finishing profile	□	□

Possible dimensions and restrictions along with the complete range of electronic accessories can be found in the technical data in the current Lewens price list.

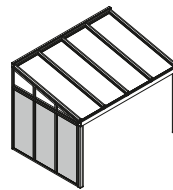
■ Standard □ Option — not available

Possible types and applications

Rectangle

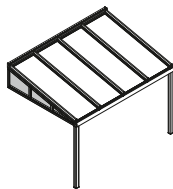


Glass roof front

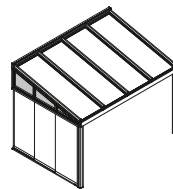


Glass roof side(s)

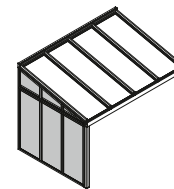
Inclined section



Side wall triangular infill

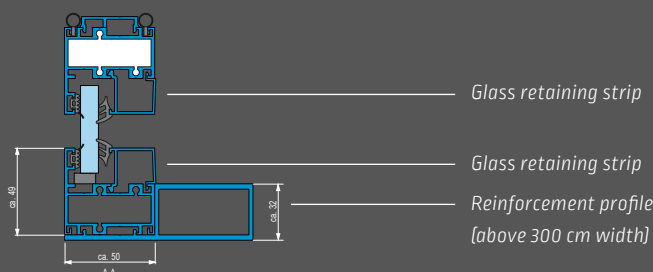


+ Glissando sliding glass panels

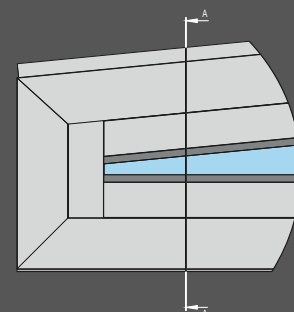


+ rectangle
= full glazing

Section



Detail





www.lewens-markisen.de



Your stockist will be happy to advise you: